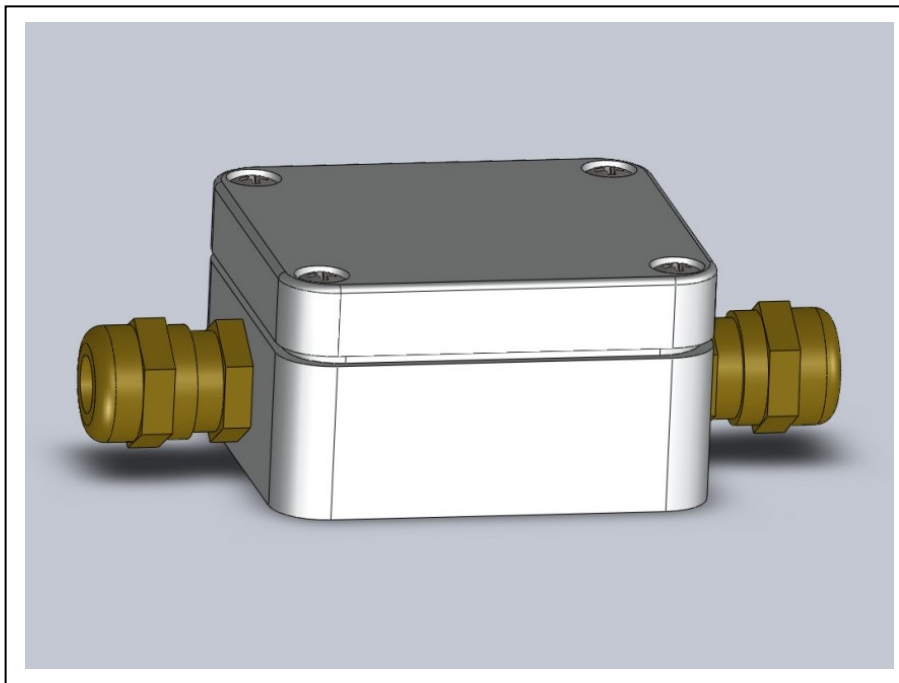


### Transducer Amplifier

- Die-cast housing
- High accuracy
- Various outputs
  - 4-20mA, 0-10 Vdc and +/- 10 Vdc



### Description

The 7539 is a conditioning amplifier PCB assembly for use with strain gauge bridge transducers. Supplied in a die cast box sealed to IP65 and powered from an external dc supply, it provides stabilised dc excitation to the bridge and generates an output of 3-wire 4-20mA, 0-10Vdc, 0-5Vdc or 2.5-7.5Vdc. When powered by a bipolar supply, the voltage outputs can also be bipolar.

The amplifier has reversed supply protection, 25 turn Zero and Span controls and screw terminal connections.

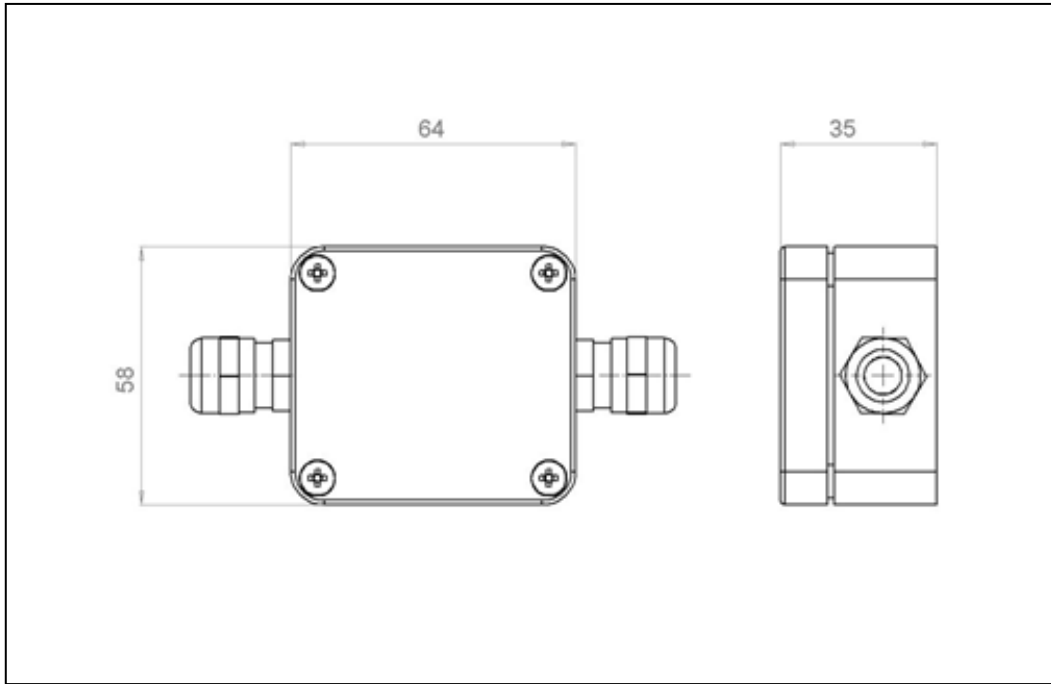
## Specification

- Power Supply
  - 0/12Vdc to 24Vdc for 3 wire current and unipolar voltage outputs
  - +/-12Vdc to +/- 15Vdc for 3 wire current and bipolar voltage outputs.
- Bridge Excitation
  - 10Vdc stabilised (nom)
- Bridge Resistance
  - 87 ohm minimum
- Bridge Sensitivity
  - 0.3 to 3.0mV/V
- EMI
  - Input RF suppression
- Output 1
  - 4 to 20mA (max 30mA)
- Available load voltage
  - V supply 9V
- Output 2
  - 0 to 5V, 0 to +/-5V, 0 to 10V, 0 to +/- 10V and 2.5 to 7.75V
- Adjustments
  - Zero; 25 turn pot
  - Span; 25 turn pot
- Connections
  - Screw terminals

## Accuracy

- Non linearity error 0.01%
- Zero Temp coefficient 0.3 micro-volt/degree C
- Span Temp coefficient 0.01%/degree C

## Drawing



## Additional Notes

Specification may change without notice

Contact us:  
DuSense LLC  
Tel.: +971.4.8135972  
Email: [info@dusense.ae](mailto:info@dusense.ae)

