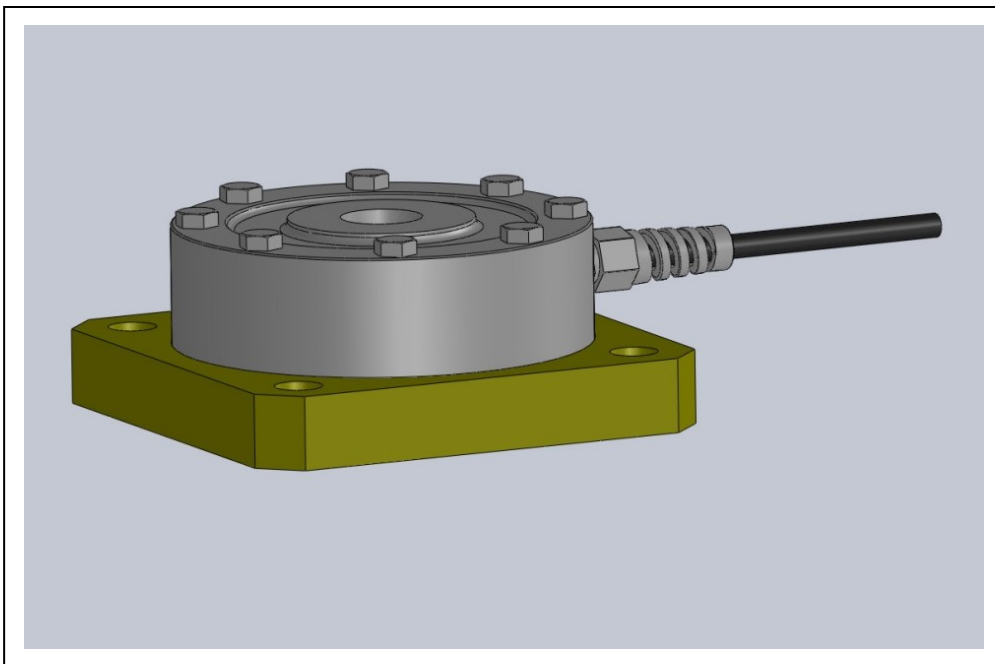


### Compressive Load Cell

- Range 2 to 50te
- Stainless steel construction
- Rugged and easily employed
- Sealed to IP68



### Description

The 6010 low profile load cell has full environmental protection and is built for rugged applications. The load cell is constructed from high strength stainless steel. A complete range covers the load capacities from 2 to 50 tonne. Each load cell can be fitted with loading button or other loading attachments. The cell is built to the highest commercial standards that include temperature compensation over a wide temperature range.

## Specification

### ELECTRICAL

- Recommended excitation 10 Vdc.
- Maximum excitation 15 Vdc.
- Output at rated load 2.0mV/V
- Zero balance 5% of RL
- Input impedance 700ohms +/-20
- Output impedance 700ohm +/-2
- Insulation  $>10^9$ ohms
- Compensation temp range 10 to 60 C

- Safe temp range -30 to 70 C

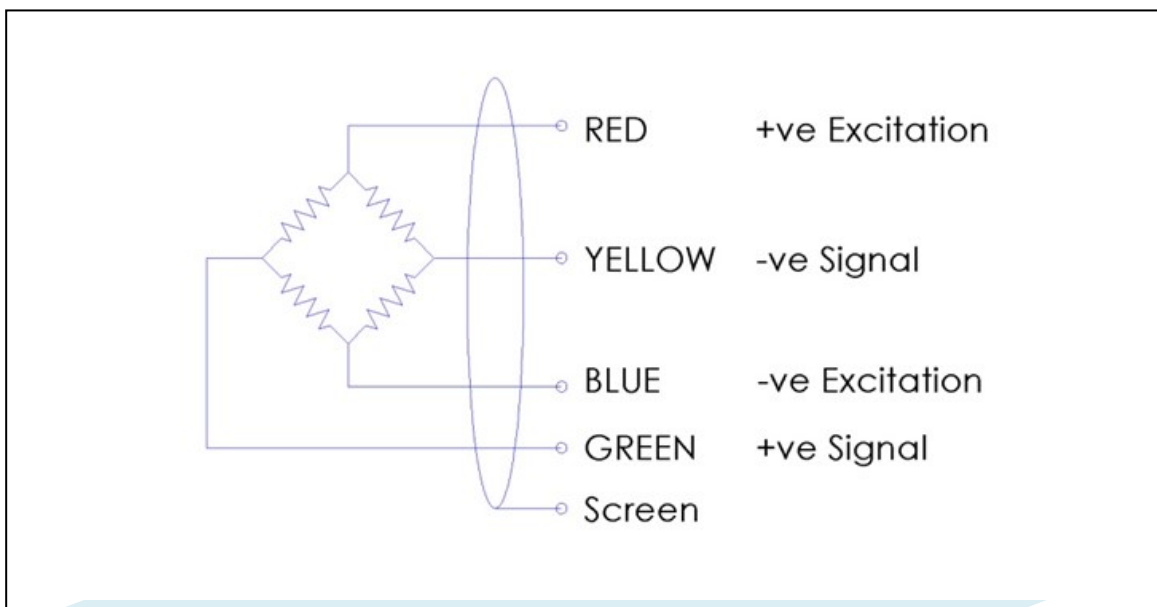
### MECHANICAL

- Safe overload 150% of RL
- Ultimate overload 300% of RL
- Deflection  $<0.5$ mm
- Cable type 4 core screened
- Cable length 10 M
- Sealed IP68

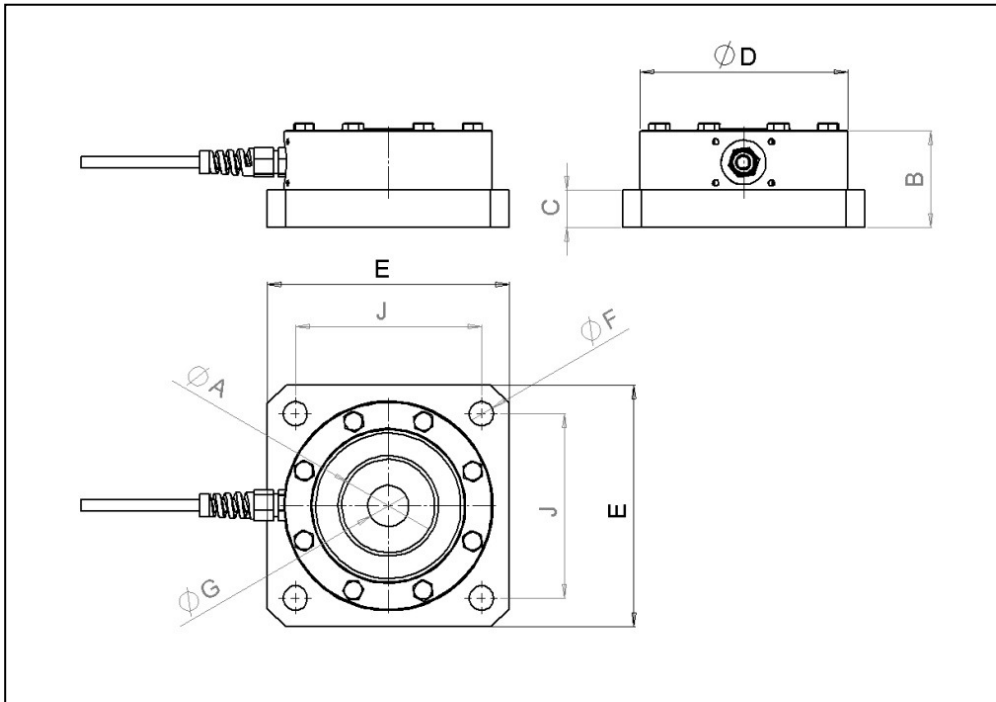
## Accuracy

- Non linearity & hysteresis 0.15%
- Non repeatability  $<0.05\%$
- Zero return (after 30 mins). 0.04%
- Temp effect/10deg C on zero 0.02%
- Temp effect/10deg C on span 0.02%

## Wiring



## Drawing



## Dimensions

RATING	A	B	C	D	E	H	G
te	mm	mm		mm	mm	mm	mm
2			20	112			M24 x 2.0p
5			20	112			M24 x 2.0p
10				150			M24 x 2.0p
15				150			M30 x 2.0p
25				150			M45 x 3.0p
50				184			

## Additional Notes

Specification may change without notice

Contact us:  
 DuSense LLC  
 Tel.: +971.4.8135972  
 Email: [info@dusense.ae](mailto:info@dusense.ae)

