

### Pressure

- Range 100mbar to 40bar
- Stainless steel element
- Rugged and easily employed
- Sealed to IP67
- Optional Ex: II 1 G EEx ia IIC T4.



### Description

The 4800 is a pressure transmitter for universal use in industry. It proportionally converts fluid pressure into an electrical signal.

Absolute and gauge pressure measurements, as well as static and dynamic ones, are possible. Pressure ranges span from 0.1 to 40 bar, according to DIN 16128. Special pressure range calibration is possible. The transmitter can be used for all media compatible with 1.4571 (AISI 316L) and 1.4404 (AISI 316L) stainless steel and FKM. Alternative sealing materials are available on request. By advising the medium we would like to recommend the suitable material. A variety of standard output signals and electrical connectors make the DMP331 cover a wide field of applications.

## Specification

### ELECTRICAL

- Recommended excitation 12...36Vdc.
- See options
- Insulation  $>10^9$ ohms
- Compensation temp range 10 to 85 C
- Safe temp range -30 to 125 C

- Safe temp range -30 to 70 C

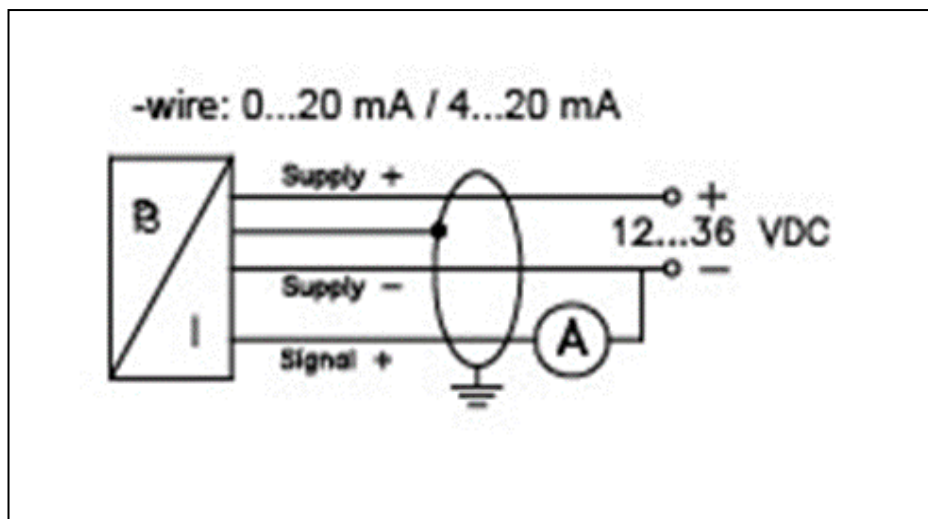
### MECHANICAL

- Safe overload 110% of RL
- Ultimate overload 250% of RL
- Deflection  $<0.5$ mm
- Sealed IP67

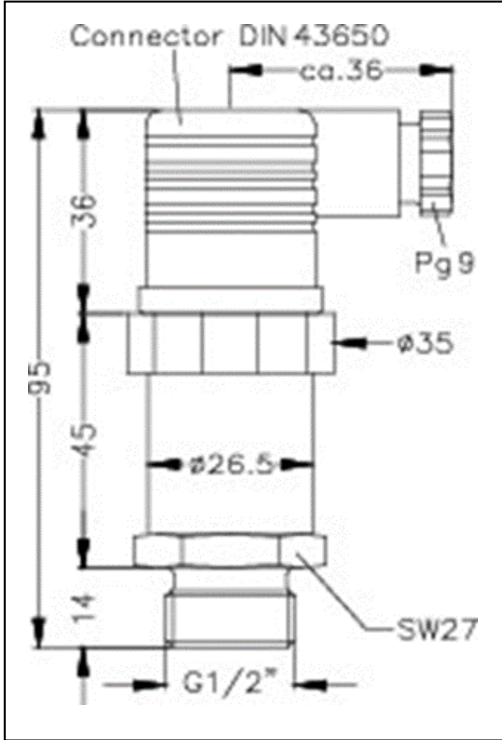
## Accuracy

- Non linearity & hysteresis 0.35%
- Non repeatability  $<0.12\%$
- Zero return (after 30 mins). 0.1%
- Temp effect/10deg C on zero 0.1%
- Temp effect/10deg C on span 0.1%

## Wiring



### Drawing



### Dimensions

RATING	REMARKS	
Bar		
0.10		
0.25		
0.40		
0.60		
1.0		
1.6		
2.5		
4.0		
6.0		
10.0		
16.00		
25.00		
40.00		

### Additional Notes

Specification may change without notice

Contact us:  
 DuSense LLC  
 Tel.: +971.4.8135972  
 Email: [info@dusense.ae](mailto:info@dusense.ae)

