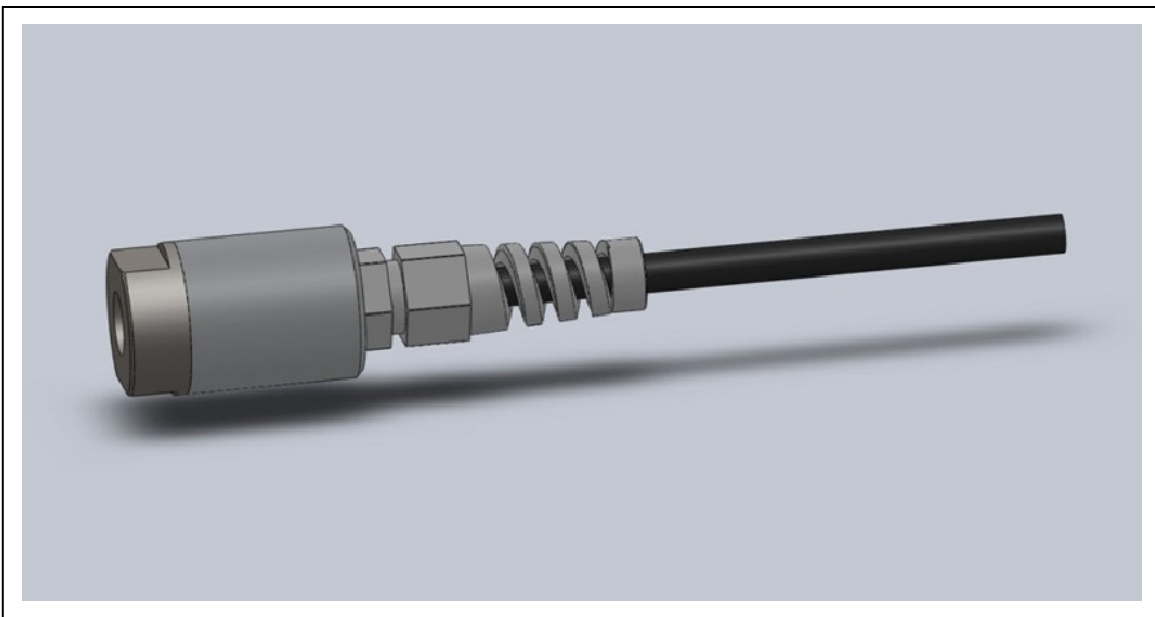


### Pressure

- Range 100 to 700bar
- Stainless steel element
- Rugged and easily employed
- Sealed to IP67



### Description

The 4000 standard series pressure transducer has full environmental protection and is built for industrial applications. The pressure transducer is constructed from high strength stainless steel element with an aluminium cover. A complete range covers the pressures from 100 to 700 bar. Each transducer can be fitted with standard metric pressure fittings. The pressure transducer is built to the highest commercial standards that include temperature compensation over a wide temperature range.

## Specification

### ELECTRICAL

- Recommended excitation 10 Vdc.
- Maximum excitation 15 Vdc.
- Output at rated load 2.0mV/V
- Zero balance 5% of RL
- Input impedance 350ohms +/-20
- Output impedance 350ohm +/-3
- Insulation  $>10^9$ ohms
- Compensation temp range 10 to 60 C

- Safe temp range -30 to 70 C

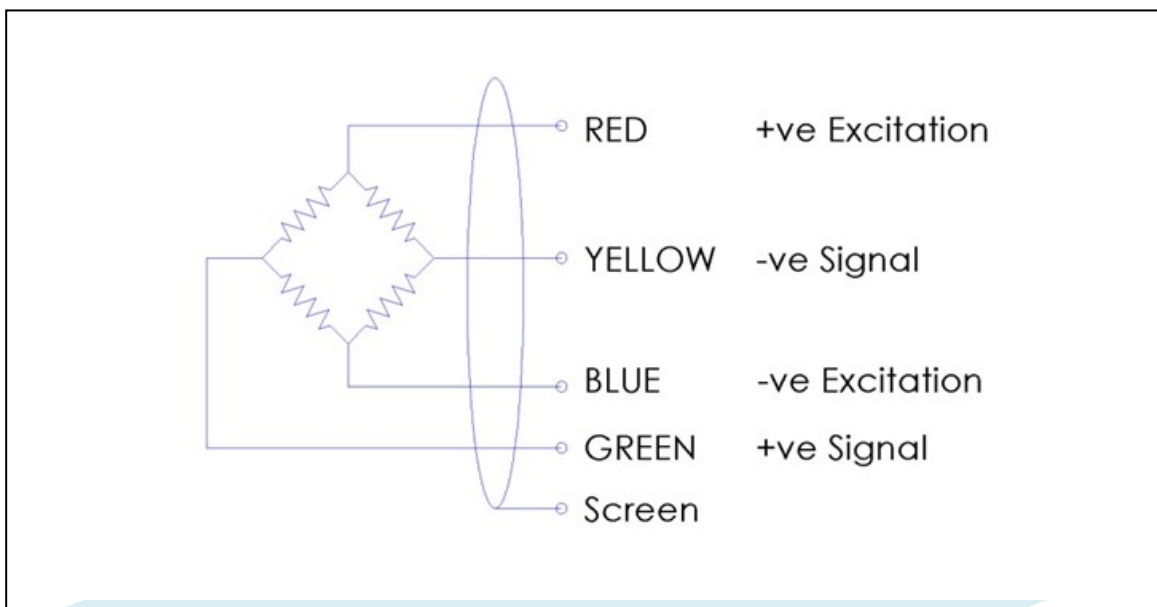
### MECHANICAL

- Safe overload 150% of RL
- Ultimate overload 300% of RL
- Deflection  $<0.5$ mm
- Cable type 4 core screened
- Cable length 6 M
- Sealed IP67

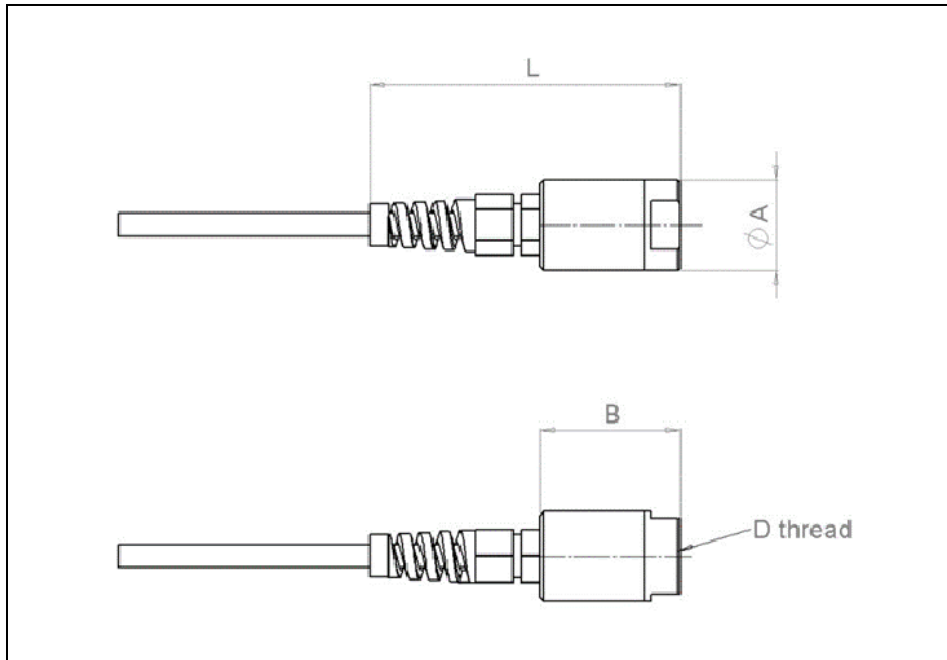
## Accuracy

- Non linearity & hysteresis 0.15%
- Non repeatability  $<0.02\%$
- Zero return (after 30 mins). 0.04%
- Temp effect/10deg C on zero 0.02%
- Temp effect/10deg C on span 0.02%

## Wiring



## Drawing



## Dimensions

RATING	A	B	L	D
bar	mm	mm	mm	mm
100	25	40	95	1/4 BSP
250	25	40	95	1/4 BSP
350	25	40	95	1/4 BSP
500	25	40	95	1/4 BSP
700	25	40	95	1/4 BSP

## Additional Notes

Specification may change without notice

Contact us:  
 DuSense LLC  
 Tel.: +971.4.8135972  
 Email: [info@dusense.ae](mailto:info@dusense.ae)

