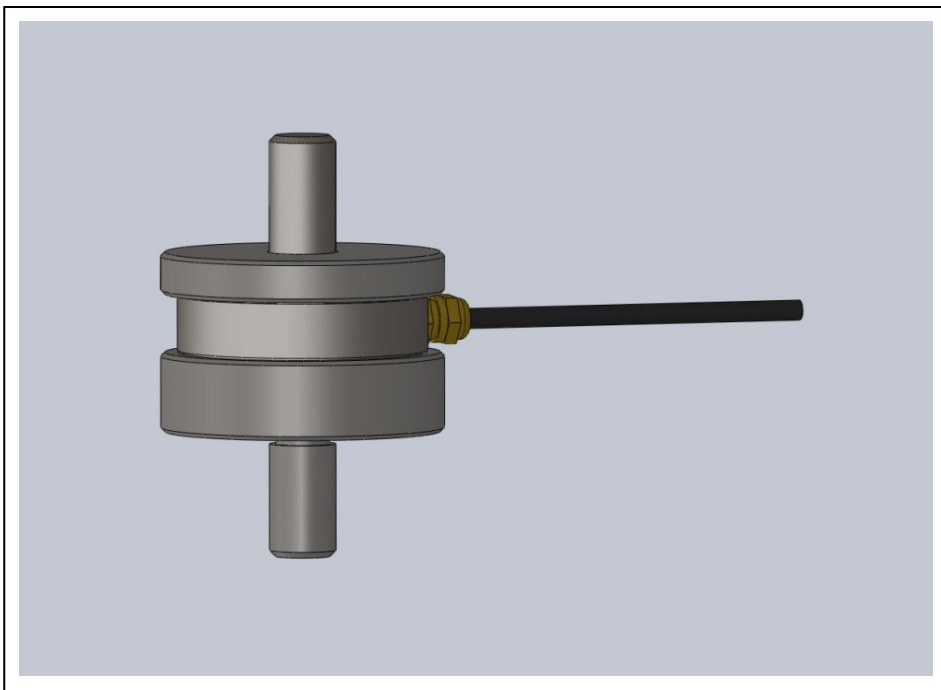


Tensile Load Cell

- Range 250 to 2000kg
- Stainless steel construction
- Rugged and easily employed
- Sealed to IP68



Description

The 3040 low profile load cell has full environmental protection and is built for rugged applications. The load cell is constructed from high strength stainless steel. A complete range covers the load capacities from 250 to 2000 kg. Each load cell can be fitted with protection cover and has male loading threads. The cell is built to the highest commercial standards that include temperature compensation over a wide temperature range.

Specification

ELECTRICAL

- Recommended excitation 10 Vdc.
- Maximum excitation 15 Vdc.
- Output at rated load 2.0mV/V
- Zero balance 5% of RL
- Input impedance 700ohms +/-20
- Output impedance 700ohm +/-3
- Insulation $>10^9$ ohms
- Compensation temp range 10 to 60 C

- Safe temp range -30 to 70 C

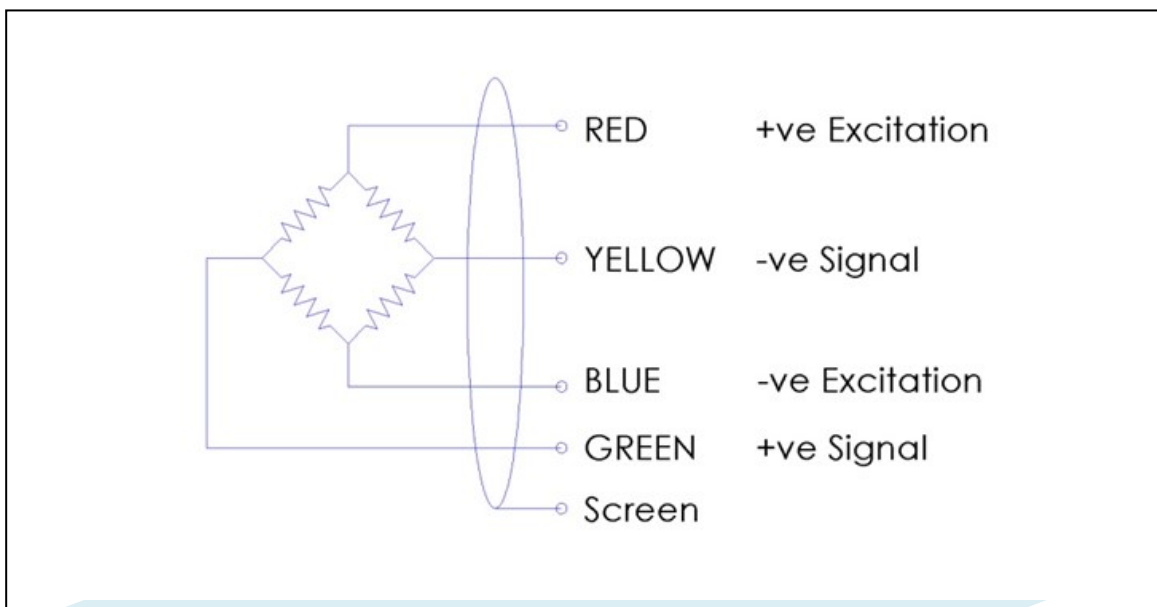
MECHANICAL

- Safe overload 150% of RL
- Ultimate overload 300% of RL
- Deflection <0.5 mm
- Cable type 4 core screened
- Cable length 10 M
- Sealed IP68

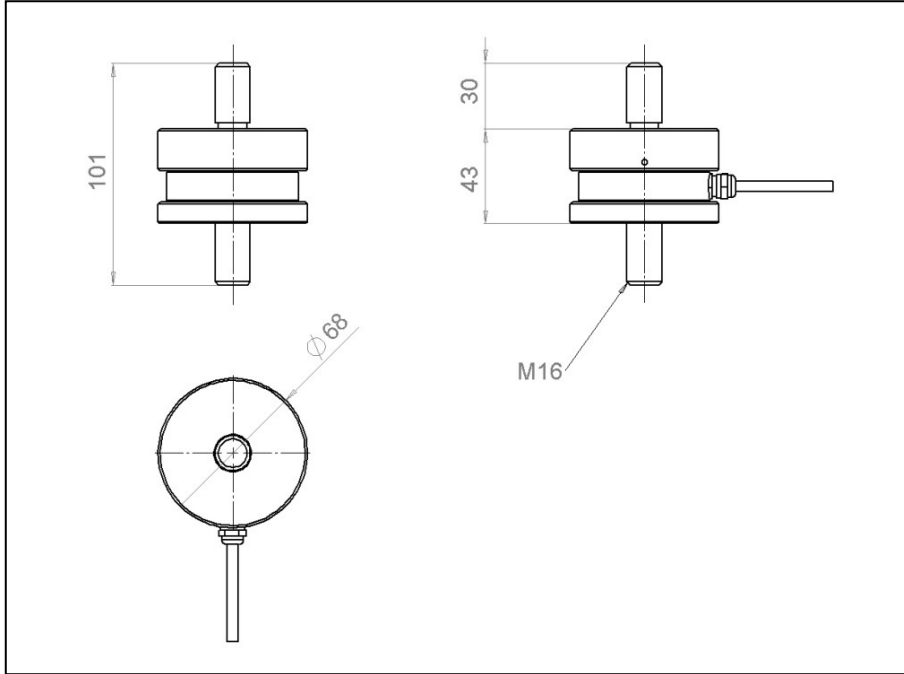
Accuracy

- Non linearity & hysteresis 0.15%
- Non repeatability $<0.05\%$
- Zero return (after 30 mins). 0.04%
- Temp effect/10deg C on zero 0.02%
- Temp effect/10deg C on span 0.02%

Wiring



Drawing



Additional Notes

Specification may change without notice

Contact us:
DuSense LLC
Tel.: +971.4.8135972
Email: info@dusense.ae

