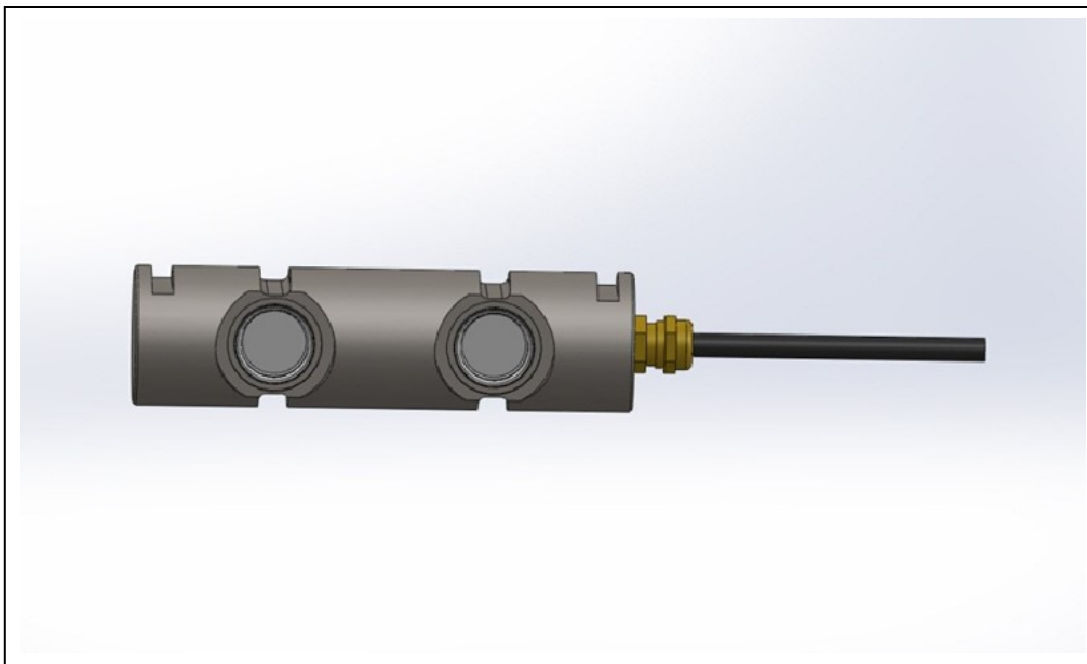


High Load Pin Cell

- Range 1 to 40te
- Stainless steel pin
- Rugged and easily employed
- Sealed to IP67



Description

The industrial High Load Pin series of load cells are designed for measuring tensile and compressive loads using a double shear strain gauged shear pin. The range is from 1 tonne to 40tonne, with larger capacities available by request. The load pin is manufactured from high strength stainless steel. The load cell is used for both temporary and permanent applications.

Specification

ELECTRICAL

- Recommended excitation 10 Vdc.
- Maximum excitation 15 Vdc.
- Output at rated load 2.0mV/V
- Zero balance 5% of RL
- Input impedance 700ohms +/-20
- Output impedance 700ohm +/-3
- Insulation >10⁹ohms
- Compensation temp range 10 to 60 C

- Safe temp range -30 to 70 C

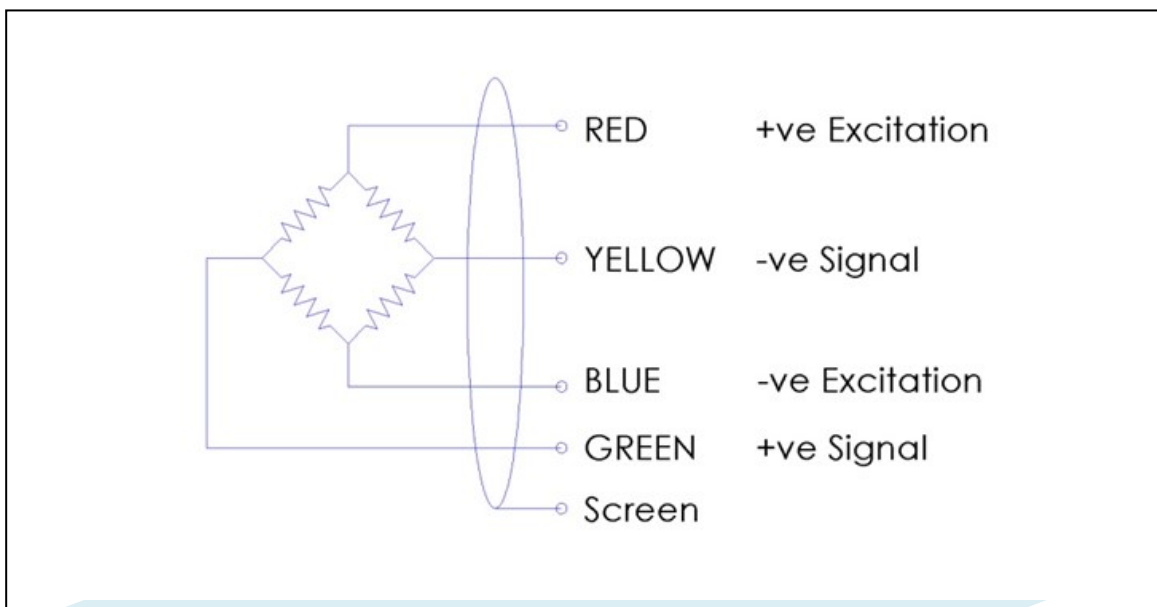
MECHANICAL

- Safe overload 150% of RL
- Ultimate overload 300% of RL
- Deflection <0.5mm
- Cable type 4 core screened
- Cable length 10 M
- Sealed IP67

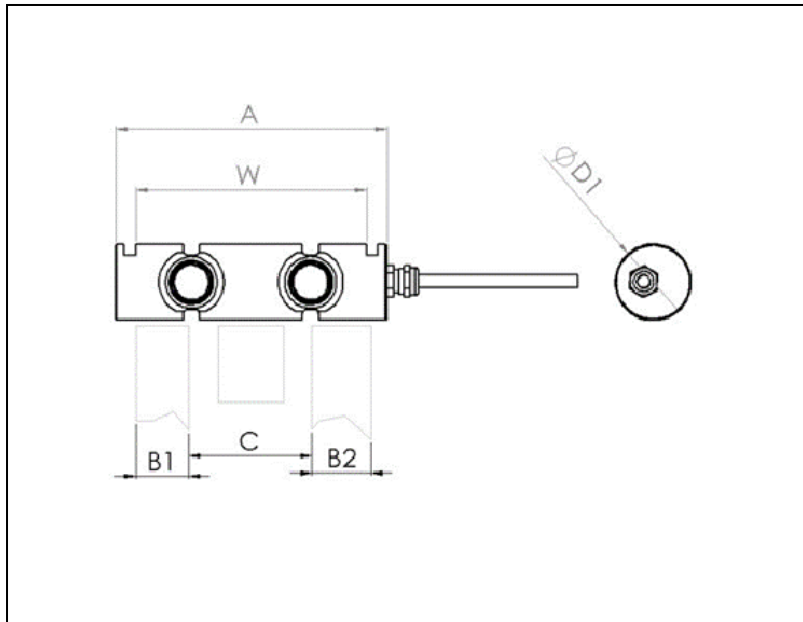
Accuracy

- Non linearity & hysteresis 0.15%
- Non repeatability <0.05%
- Zero return (after 30 mins). 0.05%
- Temp effect/10deg C on zero 0.02%
- Temp effect/10deg C on span 0.02%

Wiring



Drawing



Dimensions

RATING	D1	A	W	B1	C	Remarks
te	mm	mm	mm	mm	mm	
1.0	38	150	130	30	70	
2.0	38	150	130	30	70	
5.0	56	200	170	40	90	
10	75	280	225	50	125	
15	75	280	225	50	125	
20	90	420	340	70	200	
40	90	420	340	70	200	

Additional Notes

Specification may change without notice

Contact us:
 DuSense LLC
 Tel.: +971.4.8135972
 Email: info@dusense.ae

