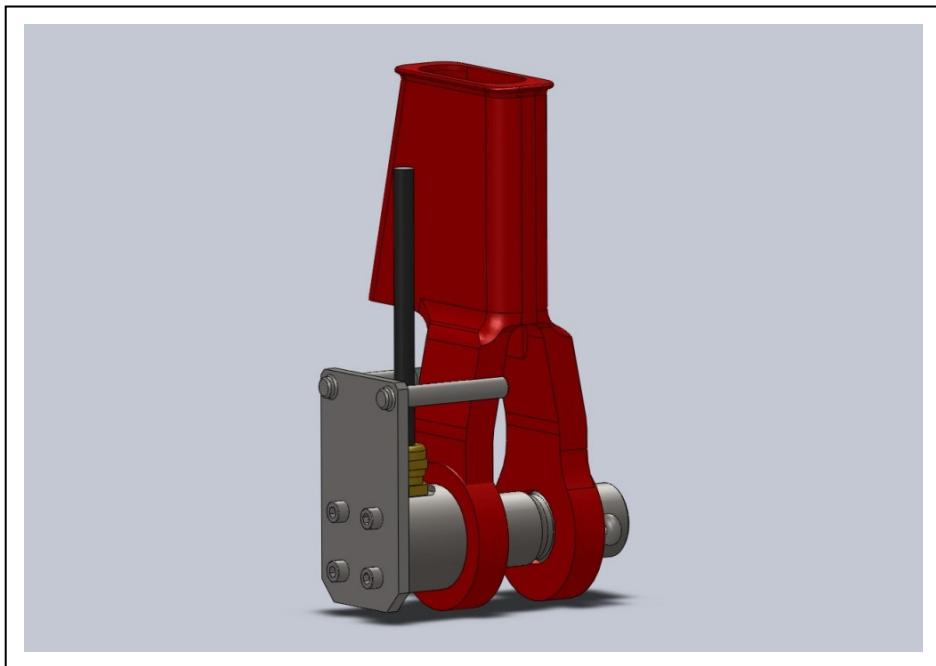


Socket Pin Load Cell

- Range 5 to 50te
- Stainless steel pin
- Rope sizes 10mm to 25mm
- Sealed to IP67



Description

The WEDGE series of load cells are designed for measuring tensile loads using a standard Crosby type wedge socket. The range is from 5 tonne to 50te, with larger capacities being custom built. Manufactured from a standard high strength stainless steel, with an alloy steel anti-rotation bracket. This load cell is used in permanent rope tension applications, particularly in rugged and harsh conditions. It is used at the dead end of ropes for winches or cranes.

Specification

ELECTRICAL

- Recommended excitation 10 Vdc.
- Maximum excitation 15 Vdc.
- Output at rated load 1.0mV/V
- Zero balance 5% of RL
- Input impedance 350ohms +/-20
- Output impedance 350ohm +/-3
- Insulation >10⁹ohms
- Compensation temp range 10 to 60 C

- Safe temp range -30 to 70 C

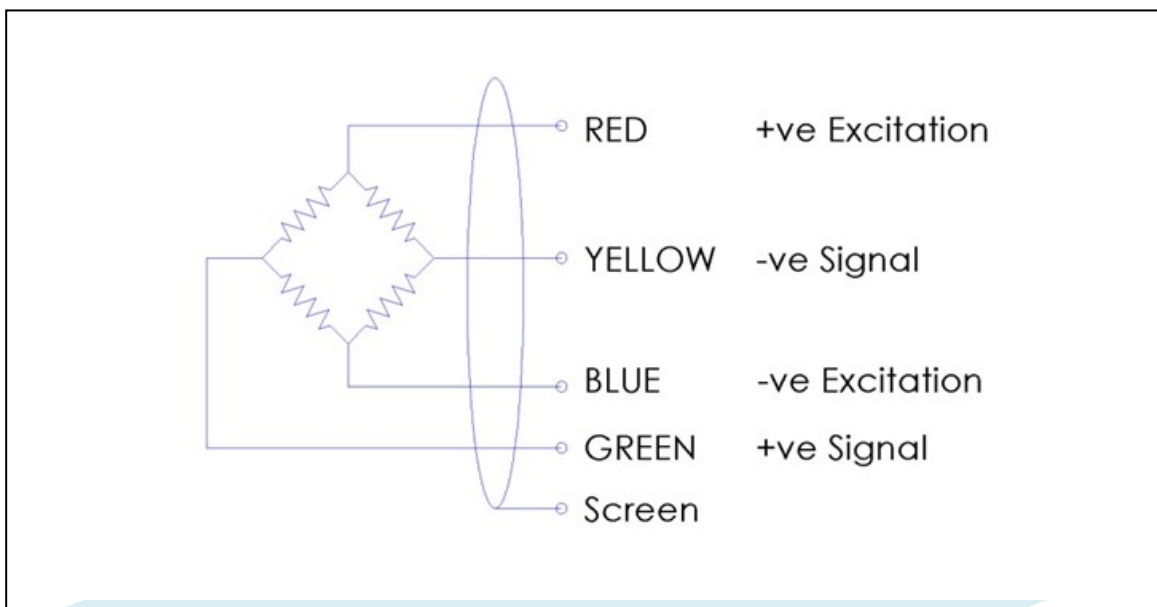
MECHANICAL

- Safe overload 150% of RL
- Ultimate overload 300% of RL
- Deflection <0.5mm
- Cable type 4 core screened
- Cable length 10 M
- Sealed IP68

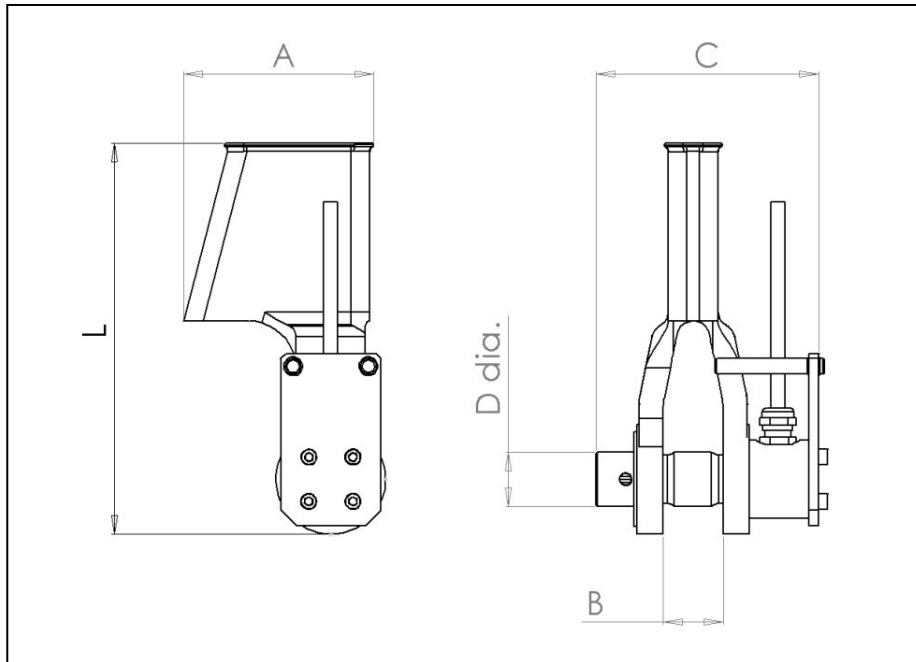
Accuracy

- Non linearity & hysteresis 1.0%
- Non repeatability <0.25%
- Zero return (after 30 mins). 0.05%
- Temp effect/10deg C on zero 0.02%
- Temp effect/10deg C on span 0.02%

Wiring



Drawing



Dimensions

RATING	A	B	C	D	L	Remarks
te	mm	mm	mm	mm	mm	
5	100	32	121	30	205	
10	120	38	146	36	250	
15	140	45	156	42	280	
20	155	50	170	51	325	
25	170	57	190	55	365	

Additional Notes

Specification may change without notice

Contact us:
 DuSense LLC
 Tel.: +971.4.8135972
 Email: info@dusense.ae

