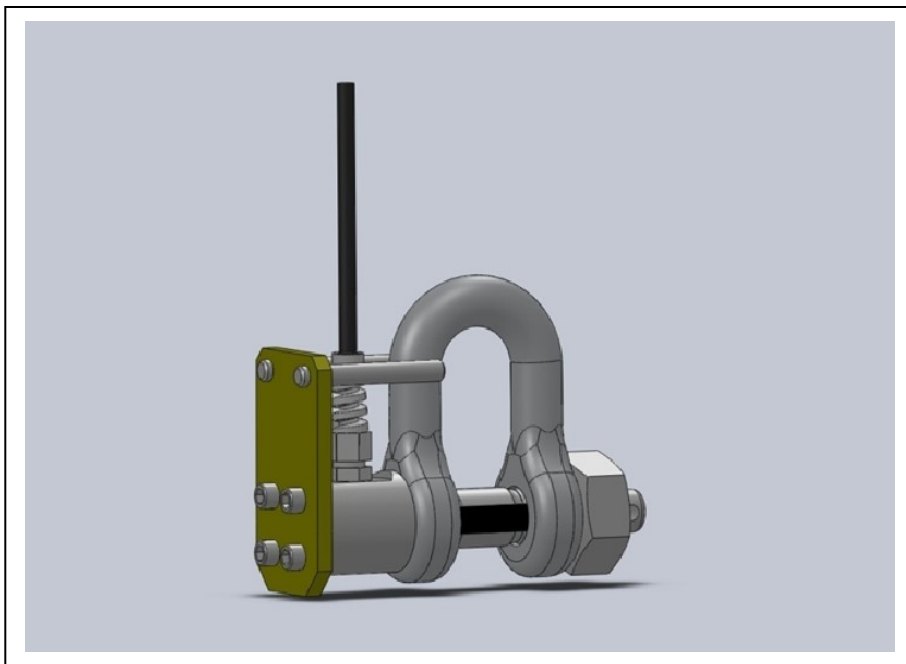


Shackle Pin Load Cell

- Range 5 to 100te
- Stainless steel pin.
- Rugged and easily employed
- Sealed to IP67



Description

The industrial SHACKLE series of load cells are designed for measuring tensile loads using a double shear strain gauged shear pin. The range is from 5 tonne to 100tonne, with larger capacities available by request. The load pin is manufactured from high strength stainless steel and fitted with stainless steel bobbin and anti-rotation plate. The load cell is used for both temporary and permanent rope tension applications, or for under hook weighing, particularly in rugged and harsh conditions. It can be also used at the dead end of a rope such as a winch or crane.

Specification

ELECTRICAL

- Recommended excitation 10 Vdc.
- Maximum excitation 15 Vdc.
- Output at rated load 2.0mV/V
- Zero balance 5% of RL
- Input impedance 700ohms +/-20
- Output impedance 700ohm +/-3
- Insulation $>10^9$ ohms
- Compensation temp range 10 to 60 C

- Safe temp range -30 to 70 C

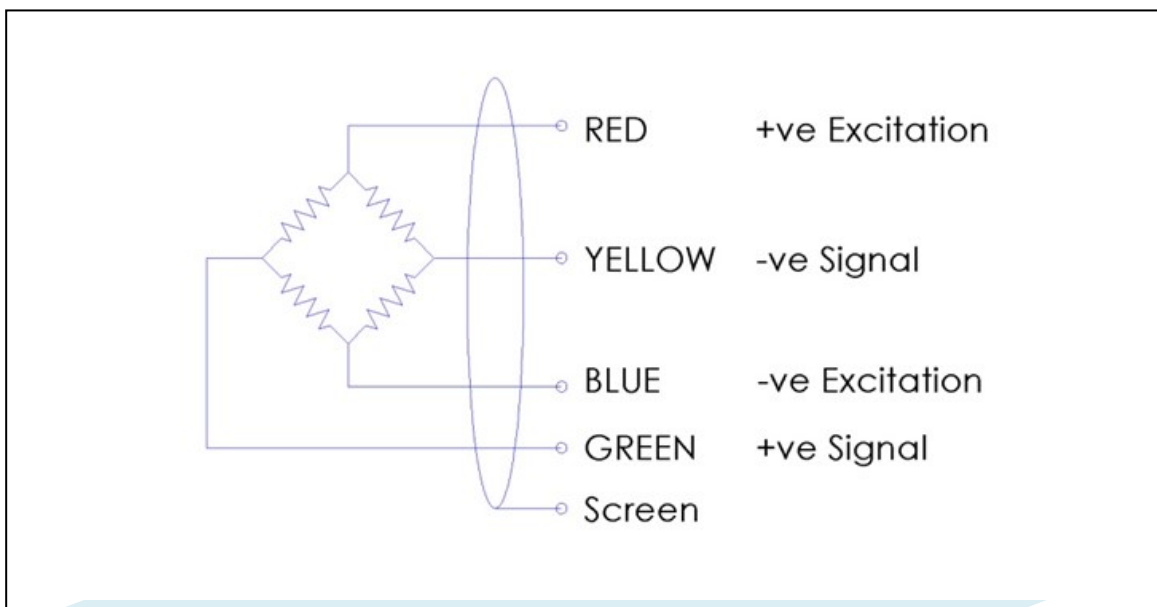
MECHANICAL

- Safe overload 150% of RL
- Ultimate overload 300% of RL
- Deflection <0.5 mm
- Cable type 4 core screened
- Cable length 10 M
- Sealed IP67

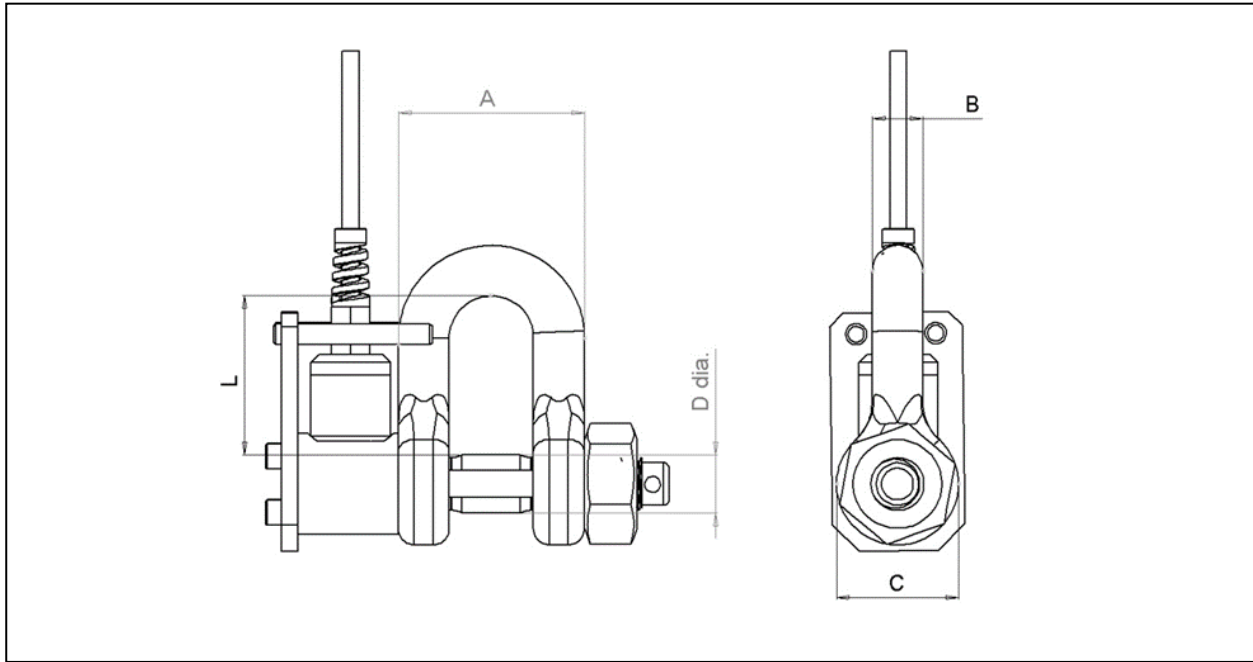
Accuracy

- Non linearity & hysteresis 1.0%
- Non repeatability $<0.25\%$
- Zero return (after 30 mins). 0.05%
- Temp effect/10deg C on zero 0.02%
- Temp effect/10deg C on span 0.02%

Wiring



Drawing



Dimensions

RATING	A	B	C	D	L	Remarks
te	mm	mm	mm	mm	mm	
5	120	25	60	30	90	
10	150	32	76	35	110	
15	175	42	92	42	140	
17	225	45	106	50	170	
25	325	68	145	70	250	
50	420	92	203	95	350	
100	625	115	305	127	475	



Telemetry Readout

- Wirelessly transmits a wide range of sensor outputs
 - Easily portable and ideal for temporary installations or where cables are not suitable
 - Wireless range of up to 200 m, 650 ft (400 m 1,300 ft using the T24 wireless range extender T24-AR)
 - Excellent battery life of up to 5 years
 - High accuracy measurement data from a wide range of sensors, including: strain gauge, load cell, voltage, current, resistance, temperature and pulse
 - Up to 200 updates per second (2,000 updates per second using the T24-SAf)
 - Reduced installation costs
 - Simple set up, installation and adding of additional devices
- License free frequency 2.4 GHz with global approvals



- Two key operation offering tare functionality
- Auto 'power on' and 'power off' of remote transmitter module
- Data transmission to wireless printer capability
- Battery powered 40 hours use
- Simple wireless configuration and calibration
- Wireless range of up to 200 m (650 ft)
- Waterproof to IP65 NEMA 4
- Photo showing the available T24-HS accessory black leather carry case with clear viewing window shoulder strap

Additional Notes

Specification may change without notice

Applicable for both cabled & telemetry type, cabled type is provided with 10M cable.

Contact us:
DuSense LLC
Tel.: +971.4.8135972
Email: info@dusense.ae

