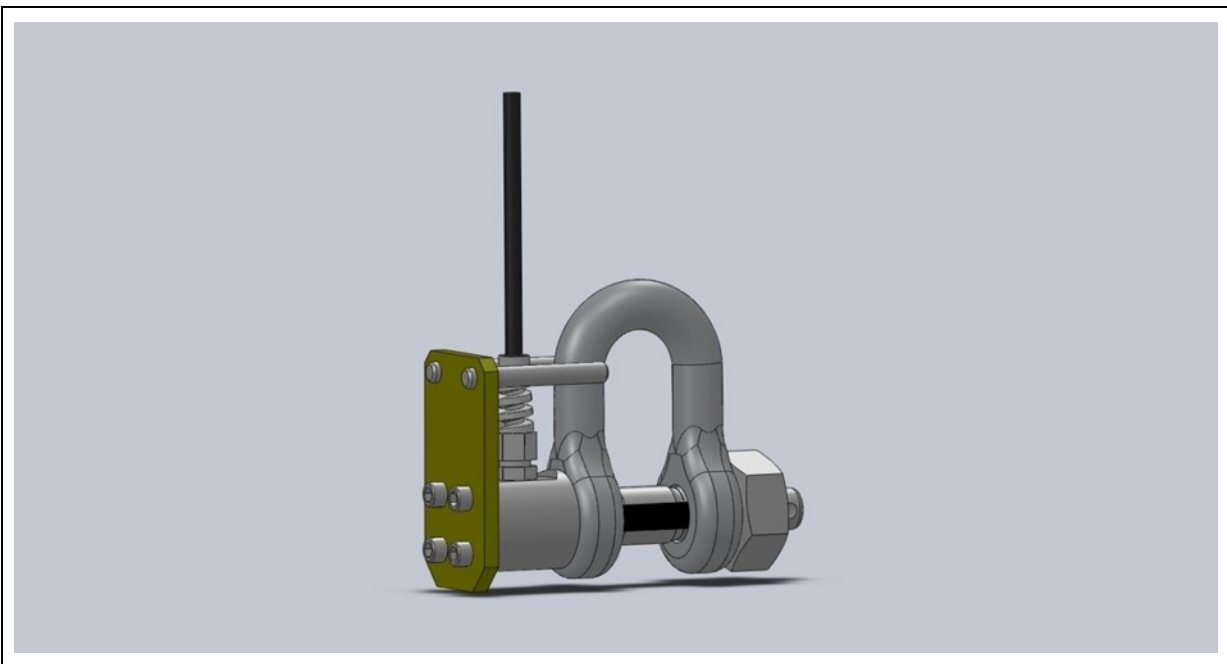


Shackle Pin Load Cell

- Range 5 to 100te
- Stainless steel pin.
- Rugged and easily employed
- Sealed to IP67



Description

The industrial SHACKLE series of load cells are designed for measuring tensile loads using a double shear strain gauged shear pin. The range is from 5 tonne to 100tonne, with larger capacities available by request. The load pin is manufactured from high strength stainless steel and fitted with stainless steel bobbin and anti-rotation plate. The load cell is used for both temporary and permanent rope tension applications, or for under hook weighing, particularly in rugged and harsh conditions. It can be also used at the dead end of a rope such as a winch or crane.

Specification

ELECTRICAL

- Recommended excitation 10 Vdc.
- Maximum excitation 15 Vdc.
- Output at rated load 2.0mV/V
- Zero balance 5% of RL
- Input impedance 700ohms +/-20
- Output impedance 700ohm +/-3
- Insulation $>10^9$ ohms
- Compensation temp range 10 to 60 C

- Safe temp range -30 to 70 C

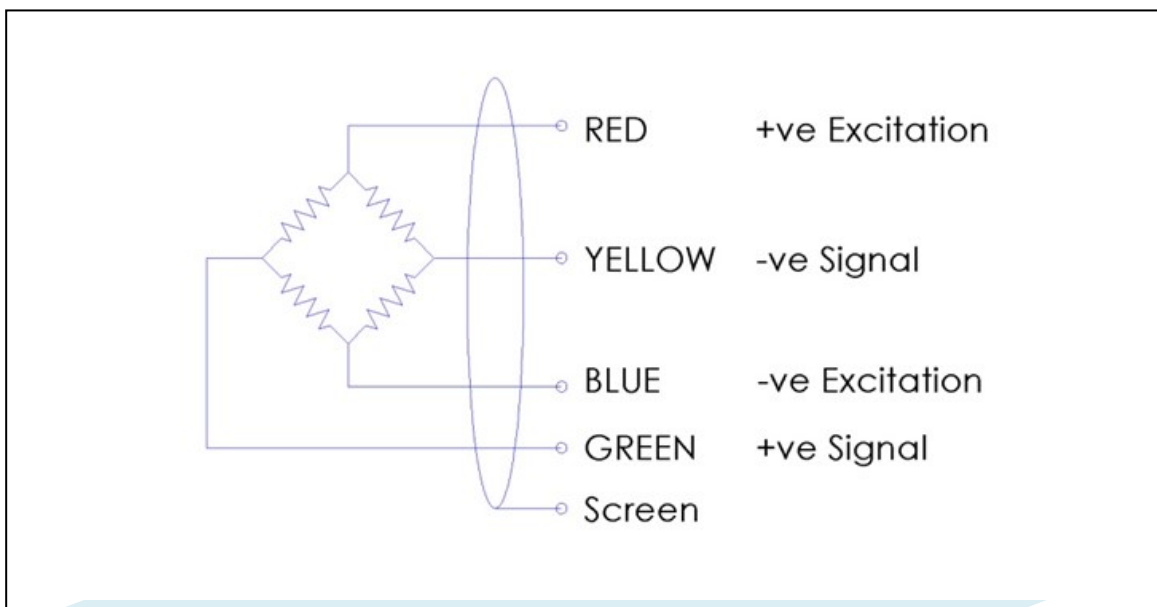
MECHANICAL

- Safe overload 150% of RL
- Ultimate overload 300% of RL
- Deflection <0.5 mm
- Cable type 4 core screened
- Cable length 10 M
- Sealed IP67

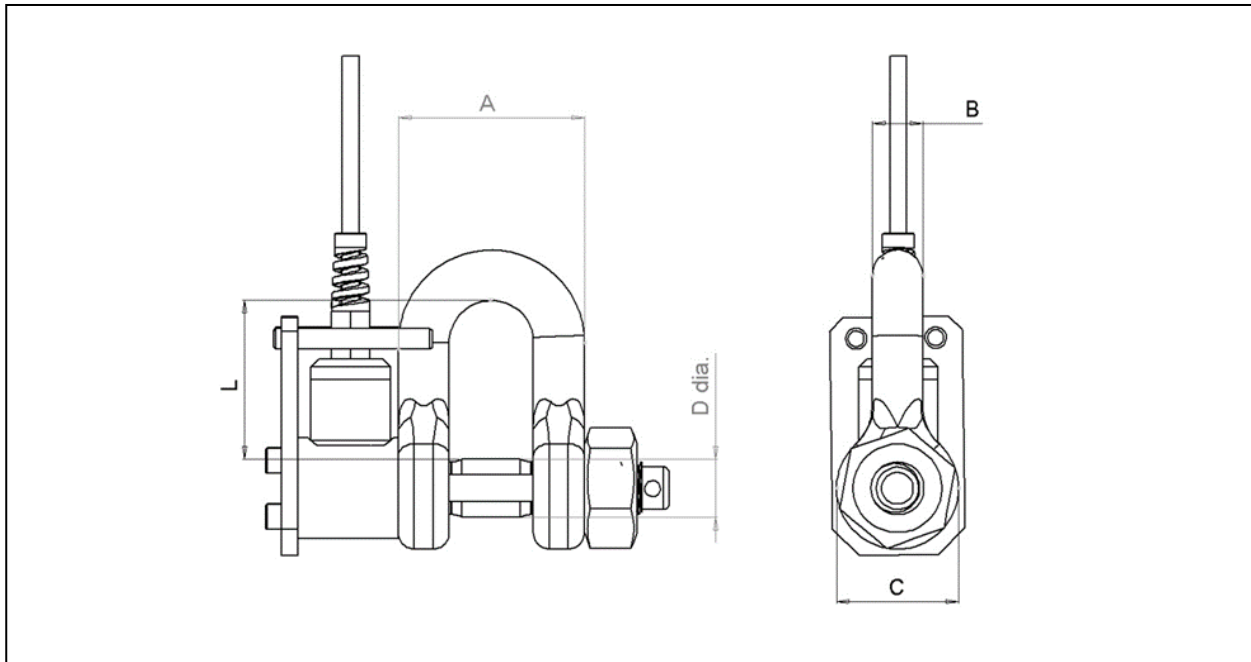
Accuracy

- Non linearity & hysteresis 1.0%
- Non repeatability $<0.25\%$
- Zero return (after 30 mins). 0.05%
- Temp effect/10deg C on zero 0.02%
- Temp effect/10deg C on span 0.02%

Wiring



Drawing



Dimensions

RATING	A mm	B mm	C mm	D mm	L mm	Remarks
5	120	25	60	30	90	
10	150	32	76	35	110	
15	175	42	92	42	140	
17	225	45	106	50	170	
25	325	68	145	70	250	
50	420	92	203	95	350	
100	625	115	305	127	475	

Additional Notes

Specification may change without notice

Contact us:
 DuSense LLC
 Tel.: +971.4.8135972
 Email: info@dusense.ae

