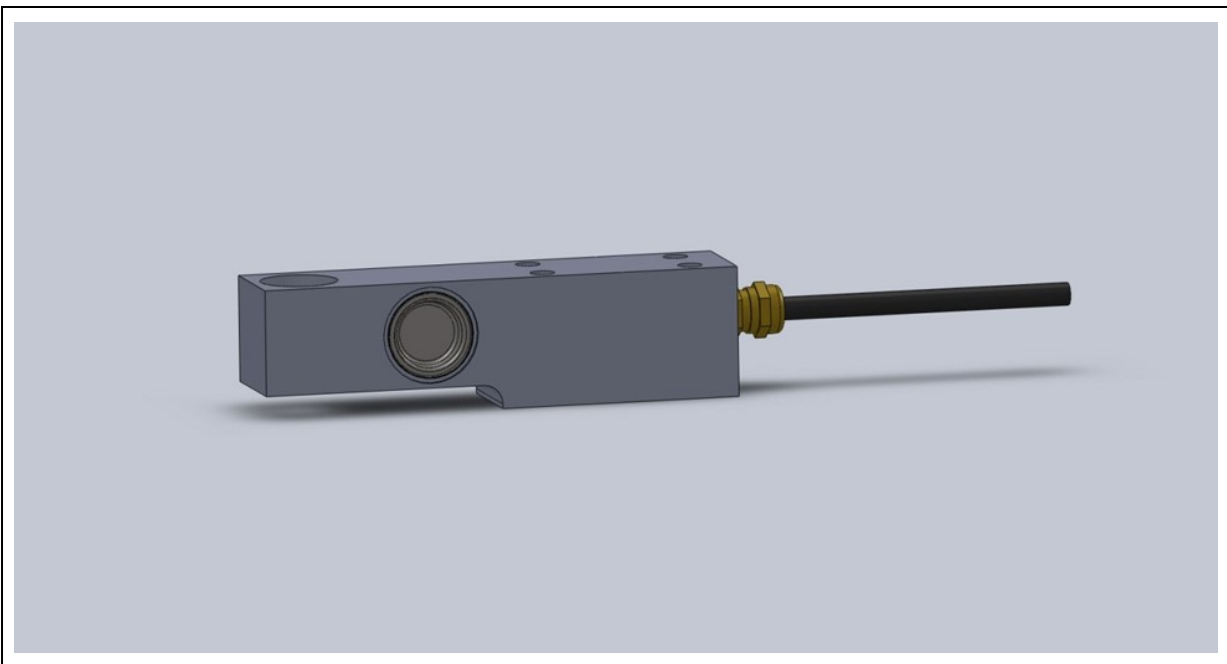


### Compressive Load Cell

- Range 1000kg to 20te
- Stainless steel construction
- Rugged and easily employed
- Sealed to IP68



### Description

The 2500 Graduate load beam has full environmental protection and is built for rugged applications. The load cell is constructed from high strength stainless steel. A complete range covers the load capacities from 1000kg to 20 tonne. Each load cell can be fitted with loading button or other loading attachments. The load cell is built to the highest commercial standards that include temperature compensation over a wide temperature range.

## Specification

### ELECTRICAL

- Recommended excitation 10 Vdc.
- Maximum excitation 15 Vdc.
- Output at rated load 2.0mV/V
- Zero balance 5% of RL
- Input impedance 350ohms +/-20
- Output impedance 350ohm +/-3
- Insulation >10<sup>9</sup>ohms
- Compensation temp range 10 to 60 C

- Safe temp range -30 to 70 C

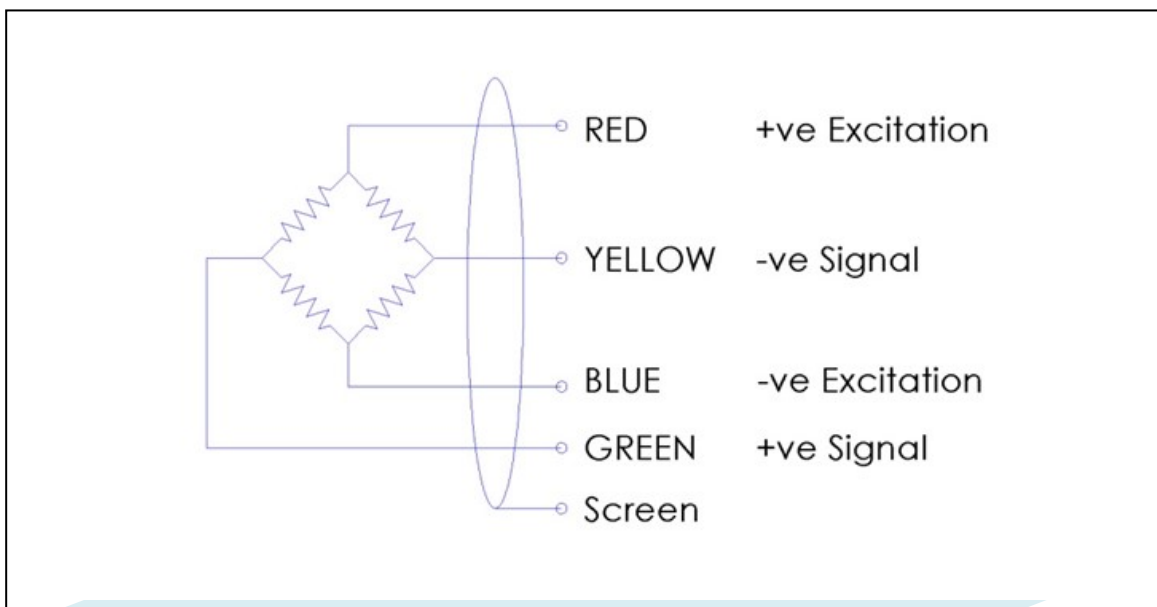
### MECHANICAL

- Safe overload 150% of RL
- Ultimate overload 300% of RL
- Deflection <0.5mm
- Cable type 4 core screened
- Cable length 6 M
- Sealed IP67

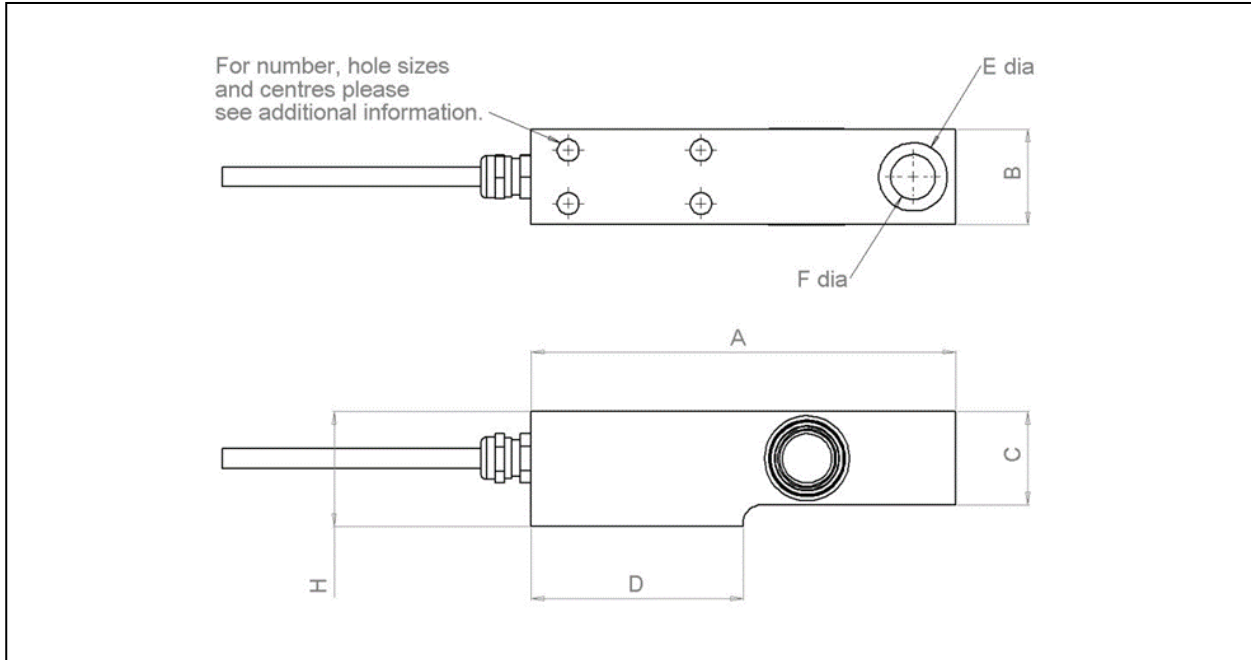
## Accuracy

- Non linearity & hysteresis 0.05%
- Non repeatability <0.01%
- Zero return (after 30 mins). 0.04%
- Temp effect/10deg C on zero 0.02%
- Temp effect/10deg C on span 0.02%

## Wiring



## Drawing



## Dimensions

| RATING<br>kg | A<br>mm | B<br>mm | C<br>mm | D<br>mm | E<br>mm | F<br>mm | H<br>mm |
|--------------|---------|---------|---------|---------|---------|---------|---------|
| 1000         | 170     | 38      | 35      | 85      | 28.3    | 17      |         |
| 2000         | 170     | 38      | 35      | 85      | 28.3    | 17      |         |
| 3500         | 200     | 45      | 44      | 100     | 32.3    | 21      | 54.0    |
| 5000         | 200     | 45      | 44      | 100     | 32.3    | 21      | 54.0    |
| 10000        | 240     | 55      | 53      | 120     | 38.3    | 25      |         |
| 20000        | 310     | 72      | 71      | 155     | 53.3    | 30      |         |

## Additional Notes

Specification may change without notice

Contact us:  
 DuSense LLC  
 Tel.: +971.4.8135972  
 Email: [info@dusense.ae](mailto:info@dusense.ae)

