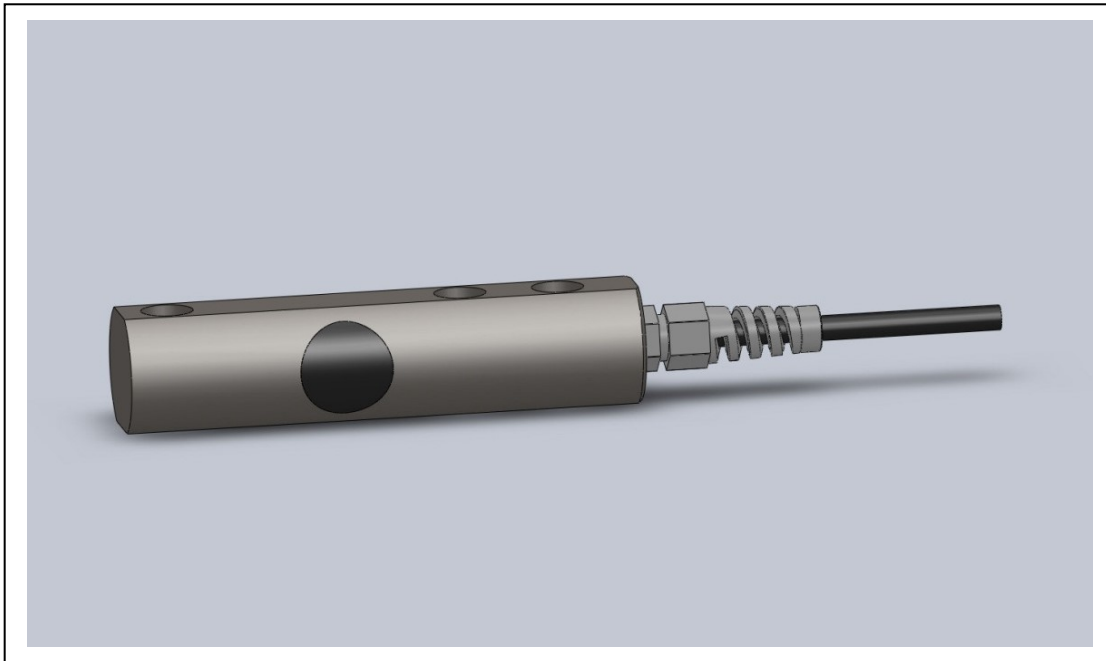


Compressive Load Cell

- Range 500kg to 10te
- Stainless steel construction.
- Rugged and easily employed
- Sealed to IP67



Description

The 2275 Graduate load beam has full environmental protection and is built for rugged applications. The load cell is constructed from high strength stainless steel. A complete range covers the load capacities from 500kg to 10 tonne. Each load cell can be fitted with loading button or other loading attachments. The load cell is built to the highest commercial standards that include temperature compensation over a wide temperature range.

Specification

ELECTRICAL

- Recommended excitation 10 Vdc.
- Maximum excitation 15 Vdc.
- Output at rated load 2.0mV/V
- Zero balance 5% of RL
- Input impedance 350ohms +/- 20
- Output impedance 350ohm +/- 3
- Insulation >10⁹ohms

- Compensation temp range 10 to 60 C
- Safe temp range -30 to 70 C

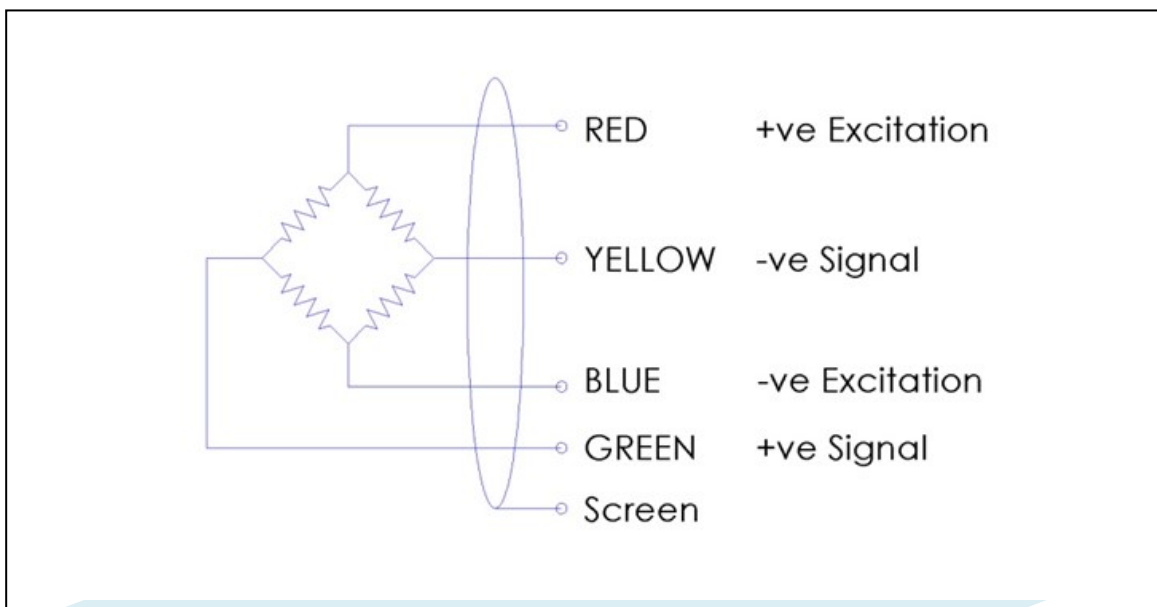
MECHANICAL

- Safe overload 150% of RL
- Ultimate overload 300% of RL
- Deflection <0.5mm
- Cable type 4 core screened
- Cable length 6 M
- Sealed IP67

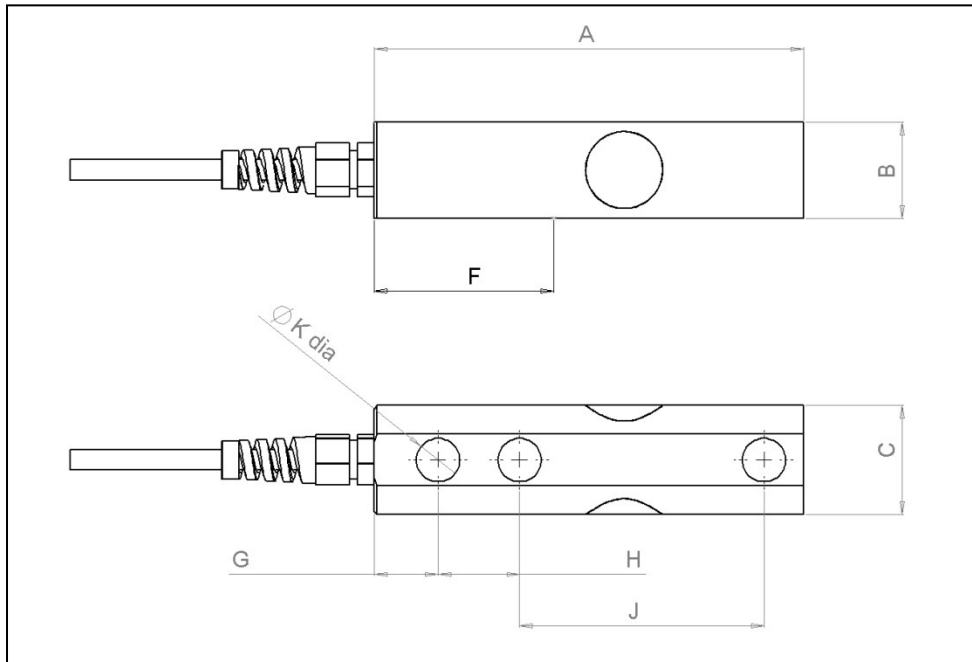
Accuracy

- Non linearity & hysteresis 0.05%
- Non repeatability <0.01%
- Zero return (after 30 mins). 0.04%
- Temp effect/10deg C on zero 0.02%
- Temp effect/10deg C on span 0.02%

Wiring



Drawing



Dimensions

RATING	A	B	C	F	G	H	J	K
kg	mm	mm	mm	mm	mm	mm	mm	mm
500	134	30	34	56	20	25.4	76.2	13.5
1000	134	30	34	56	20	25.4	76.2	13.5
2500	173	48	38	74	20	57.0	95.0	20.5
5000	173	48	38	74	20	57.0	95.0	20.5
10000	TBA	TBA	TBA	TBA	TBA	TBA	TBA	TBA

Additional Notes

Contact us:
 DuSense LLC
 Tel.: +971.4.8135972
 Email: info@dusense.ae

