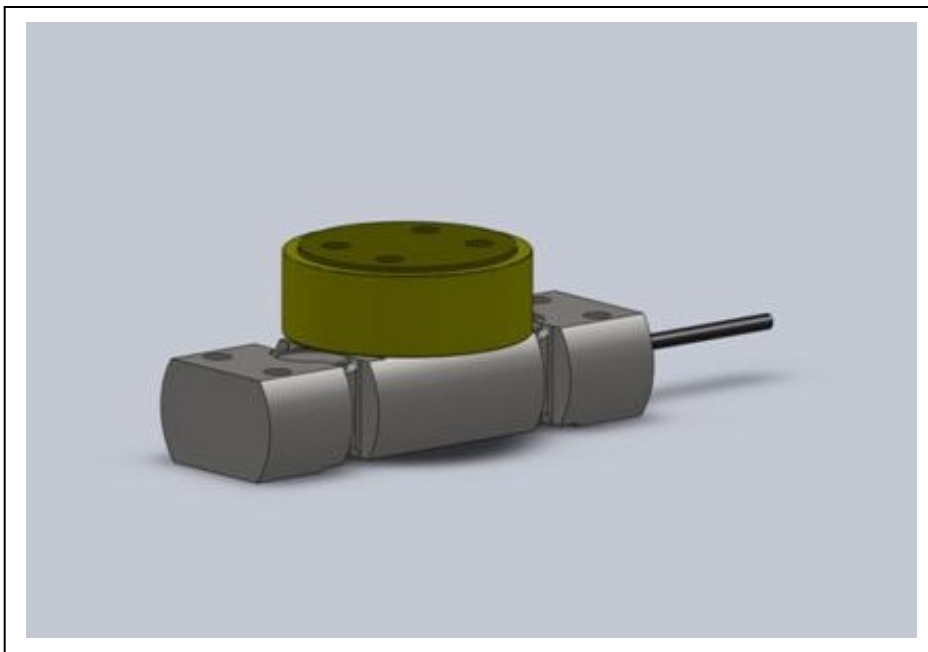


Double Ended load beam

- Pressure range from 10te to 100te
- Range 10te to 100te
- Stainless steel construction
- Rugged and easily employed
- Sealed to IP68



Description

The 1740 Double ended load beam has full environmental protection and is built for rugged applications. The load cell is constructed from high strength stainless steel. A complete range covers the load capacities from 10te to 100 tonne. Each load cell can be fitted with loading plate assembly or other loading attachments. The load cell is built to the highest commercial standards that include temperature compensation over a wide temperature range.

Specification

ELECTRICAL

- Recommended excitation 10 Vdc.
- Maximum excitation 15 Vdc.
- Output at rated load 2.0mV/V
- Zero balance 5% of RL
- Input impedance 700ohms +/-20
- Output impedance 700ohm +/-3
- Insulation >10⁹ohms
- Compensation temp range 10 to 60 C

- Safe temp range -30 to 70 C

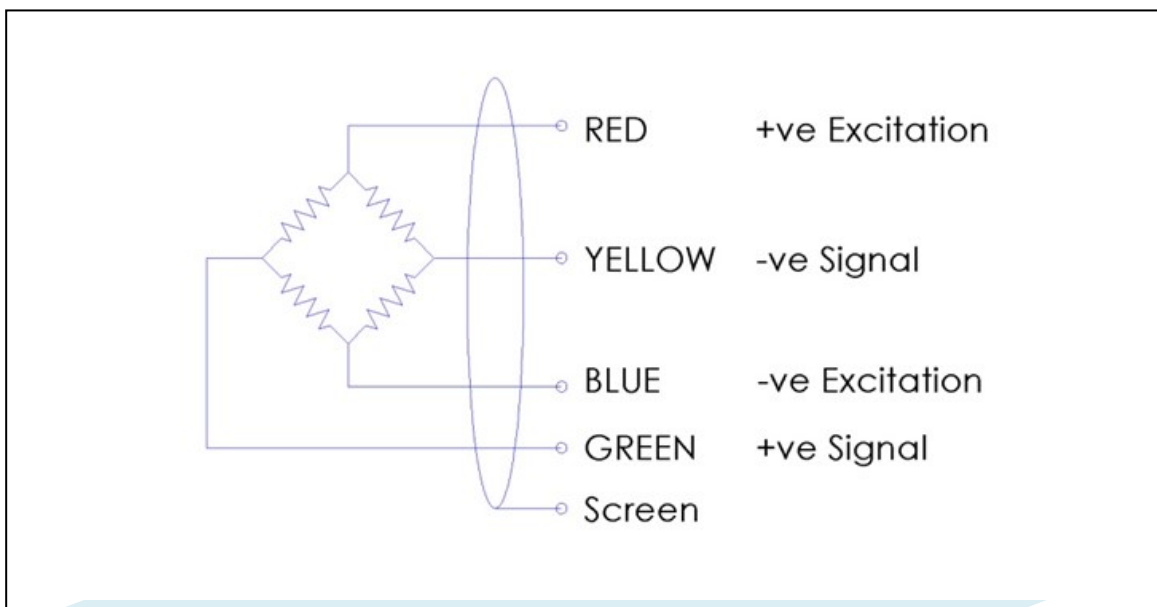
MECHANICAL

- Safe overload 150% of RL
- Ultimate overload 300% of RL
- Deflection <0.5mm
- Cable type 4 core screened
- Cable length 6 M
- Sealed IP67

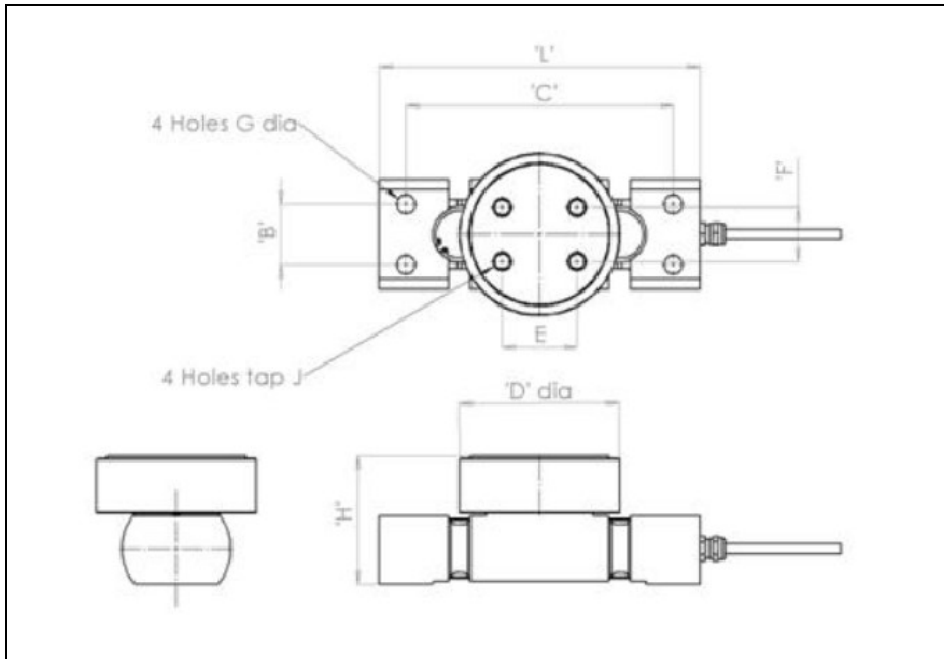
Accuracy

- Non linearity & hysteresis 0.15%
- Non repeatability <0.01%
- Zero return (after 30 mins). 0.04%
- Temp effect/10deg C on zero 0.02%
- Temp effect/10deg C on span 0.02%

Wiring



Drawing



Dimensions

RATING	L	B	C	D	E	F	G	H	J
te	mm	mm	mm	mm	mm	mm	mm	mm	mm
10	300	56	250	150	70	50	17	119	17
20	300	56	250	150	70	50	17	119	17
50	400	70	330	200	70	70	21	170	21
75	400	70	330	200	70	70	21	170	21
100	400	70	330	200	70	70	21	170	21

Additional Notes

Specification may change without notice

Contact us:
 DuSense LLC
 Tel.: +971.4.8135972
 Email: info@dusense.ae

