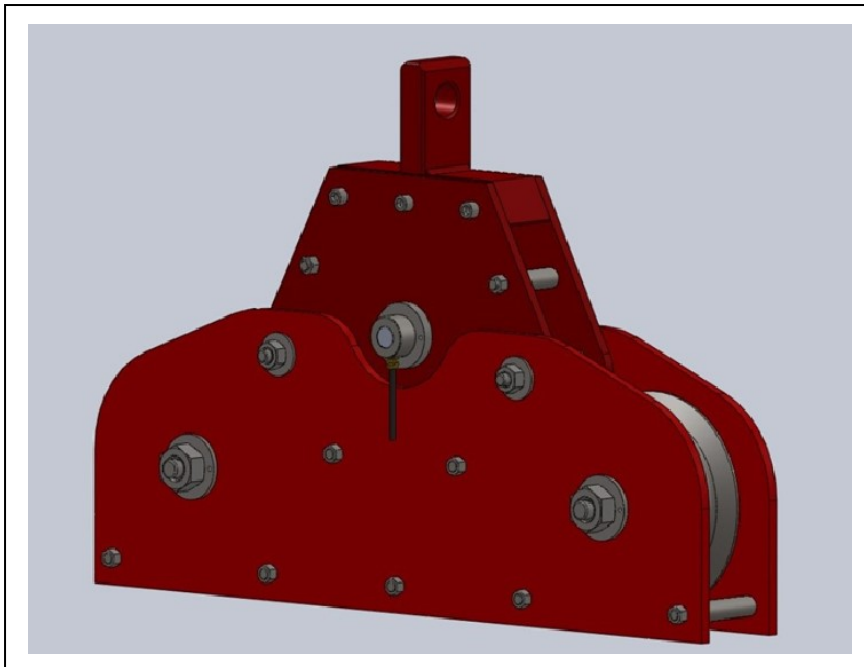


RLT rope tensiometer

- Range 16 to 76mm
- Load measurement as standard
- Length and speed measurement as option
- Sealed to IP67



Description

The RTL rope series is manufactured from high strength structural steel and stainless steel. The rope can easily be applied to the transducer.

Fitted with a load pin, the load measuring pin is fitted in the central pulley wheel assembly.

The running line tensiometer can be fitted with proximity transducers for use to measure length and speed.

Specification

ELECTRICAL

- Recommended excitation 10 Vdc.
- Maximum excitation 15 Vdc.
- Output at rated load 1.5mV/V
- Zero balance 5% of RL
- Input impedance 350ohms +/-20
- Output impedance 350ohm +/-3
- Insulation $>10^9$ ohms
- Compensation temp range 10 to 60 C

- Safe temp range -30 to 70 C

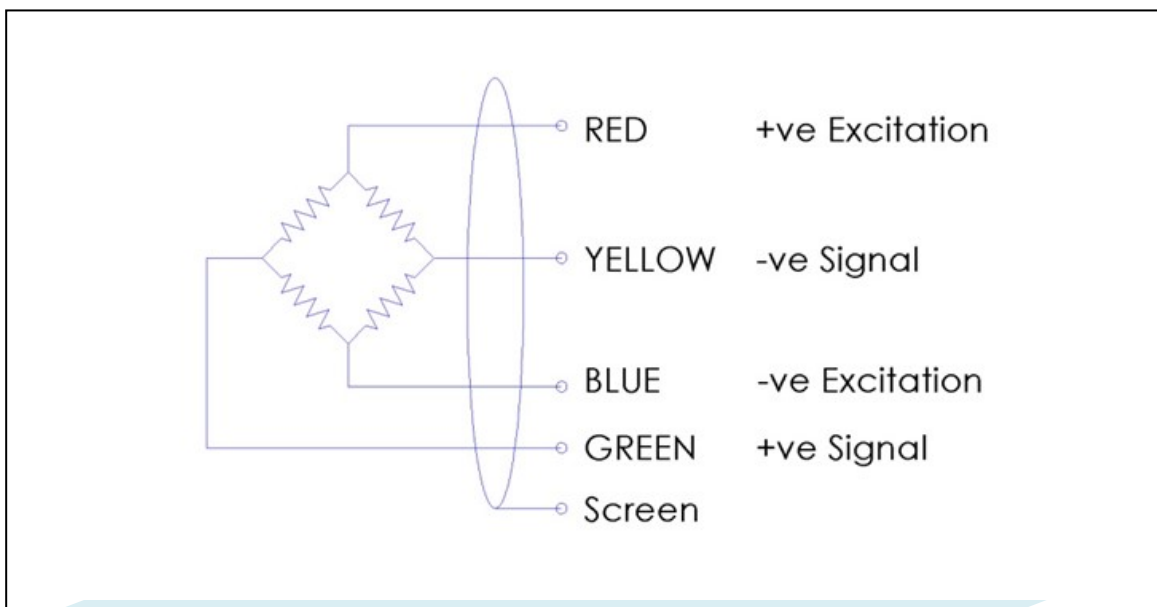
MECHANICAL

- Safe overload 150% of RL
- Ultimate overload 300% of RL
- Deflection <0.5 mm
- Cable type 4 core screened
- Cable length 10 M
- Sealed IP67

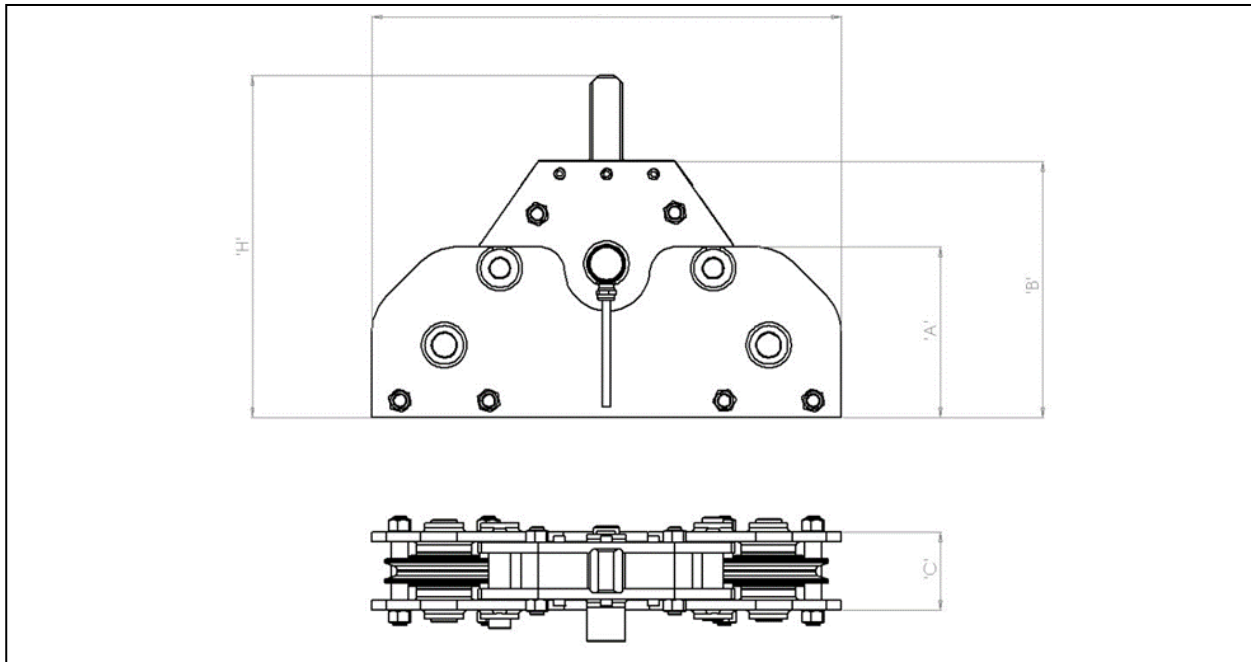
Accuracy

- Non linearity & hysteresis 2.0%
- Non repeatability $<0.25\%$
- Zero return (after 30 mins). 0.05%
- Temp effect/10deg C on zero 0.02%
- Temp effect/10deg C on span 0.02%

Wiring



Drawing



Dimensions

ROPE DIA	SIZE No.	L mm	H mm	A mm	B mm	C mm	Remarks
16-22	1	550	400	200	300	92	
24-44	2	800	500	280	400	100	
46-76	3	1480	1000	530	795	170	

Additional Notes

Specification may change without notice

Contact us:
 DuSense LLC
 Tel.: +971.4.8135972
 Email: info@dusense.ae

